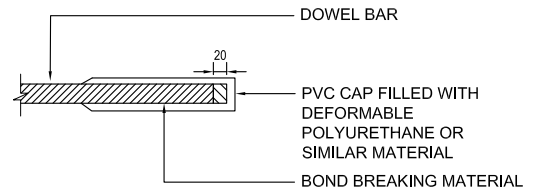
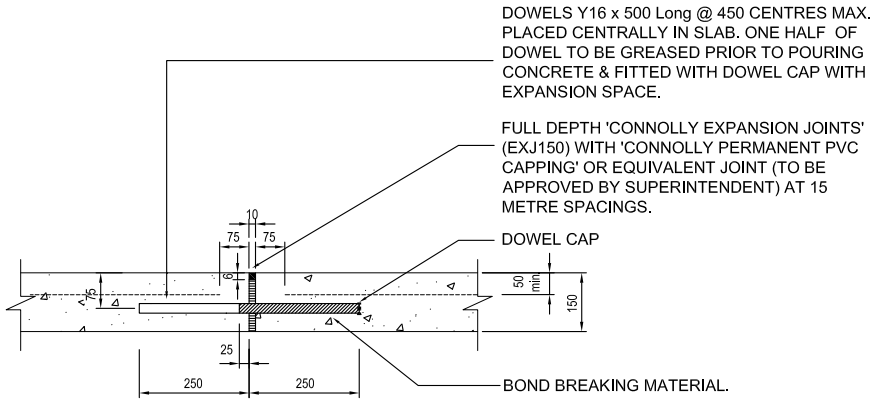


NOTE

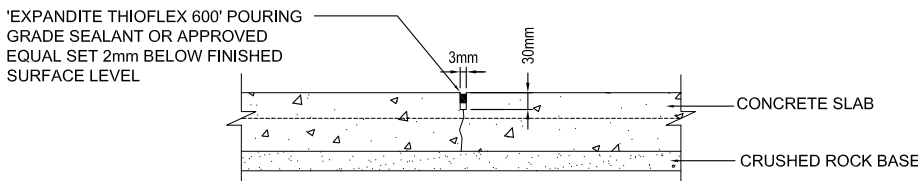
1. EXPANSION JOINTS AT 15m CENTRES (MAX.)
2. SAWCUTTING AT 3m CENTRES
3. BROOM FINISH ACROSS PATH
4. PATH COLOUR GREY

01 CONCRETE PATH DETAIL
05 SCALE 1:20

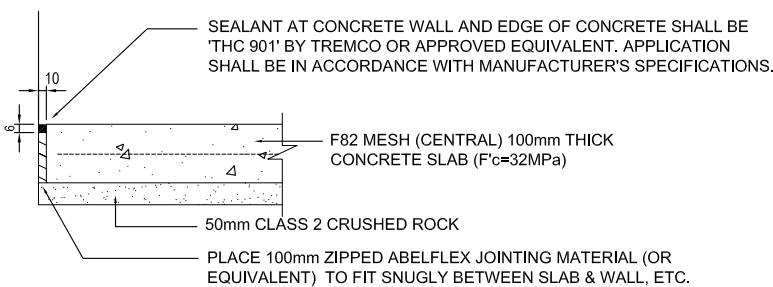


02 TYPICAL DOWELLED EXPANSION JOINT @ 15m CENTRES (MAX)
05 SCALE 1:20

03 DOWELL CAP DETAIL
05 SCALE 1:10



04 TYPICAL SAWN CONTRACTION JOINT DETAIL @ 3m CENTRES (MAX.)
05 SCALE 1:20



05 TYPICAL ISOLATION JOINT DETAIL
05 SCALE 1:20

Yarra Standard: YSD409

Drawing Title:
Paving (Open Space)
Concrete Shared Path

Scale at A4 as shown

REV	DATE	DRAWN BY
A	06/09/02	
B	30/04/12	DKC
C	18/12/12	DKC
D	23/02/16	KA

