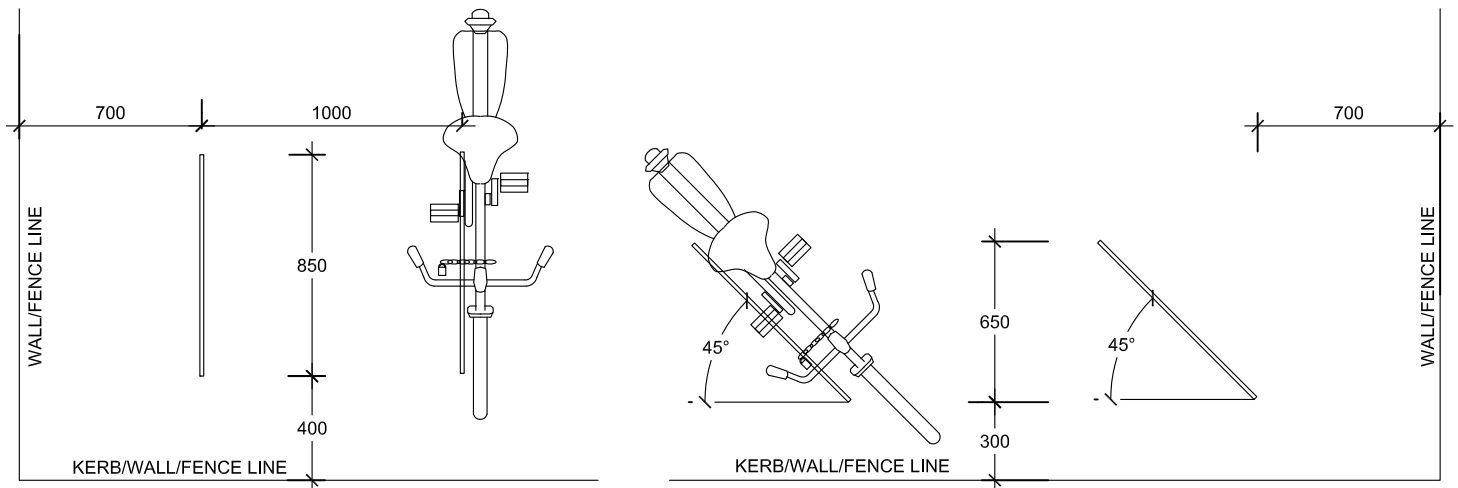


## DETAILS



## LAYOUT

### Drawing Title:

Bike Hoop - in ground

Scale at A4 N.T.S

Yarra Standard: YSD 1050a

REV	DATE	DRAWN BY
A	01/10/06	
B	25/10/18	KA



NOTE: PLEASE REFER TECHNICAL NOTES FROM THE CITY OF YARRA PUBLIC DOMAIN MANUAL ALONG WITH THIS DRAWING.