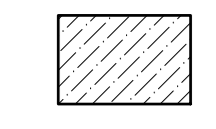
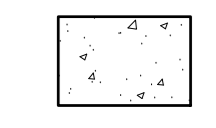
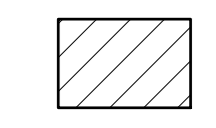
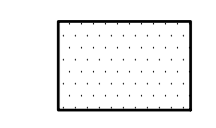
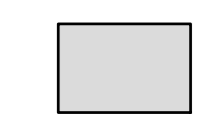
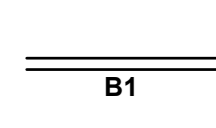
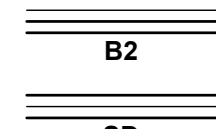
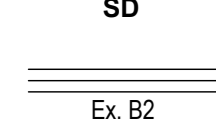
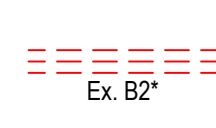

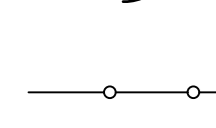




LEGEND

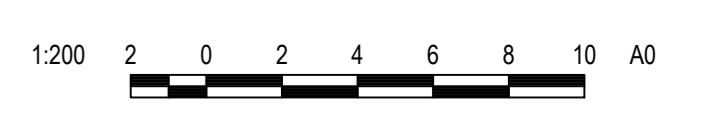
NOTE: LEGEND APPLIES TO ALL CIVIL DRAWINGS UNLESS NOTED OTHERWISE

-  NEW ASPHALT PAVEMENT TO VICROAD STANDARDS
-  NEW CONCRETE FOOTPATH TO VICROAD STANDARDS
-  NEW CARPARK CONCRETE PAVEMENT
-  NEW CARPARK PERMEABLE PAVEMENT
-  EXISTING FOOTPATH
-  CONCRETE KERB
-  CONCRETE KERB AND CHANNEL
-  SPOON DRAIN
-  EXISTING CONCRETE KERB AND CHANNEL
-  EXISTING CONCRETE KERB AND CHANNEL TO BE DEMOLISHED
-  TREE PROTECTION ZONE REFER TO ARBORIST REPORT FOR DETAILS
-  WELDMESH FENCING IN ACCORDANCE WITH VICROADS STANDARD DRAWING 320/145 (POST FOOTINGS AND PANELS NOT TO IMPACT ON EXISTING TREES) - FENCE ALIGNMENT TO BE COORDINATED WITH EXISTING TREES AND TO BE MINIMUM 600mm CLEAR OF PARKING BAYS
-  TREE NUMBER AS REFERENCED IN THE ARBORIST REPORT

NOTE:
CARPARK AND ROAD PAVEMENT FINISH LEVELS ARE YET TO BE DESIGNED. NEW FINISH SURFACE LEVELS SHALL BE WITHIN 0mm TO 150mm MAX OF THE EXISTING FINISH SURFACE LEVELS TO ALIGN WITH THE EXISTING ROAD LEVELS AND CONDITIONS AND TO ACHIEVE COMPLIANCE WITH THE ARBORIST REPORT RELATING TO TREE PROTECTION.

PROPOSED CIVIL FUNCTIONAL LAYOUT PLAN

SCALE 1:200



CREO REFERENCE: 210482

REVISION	DATE	ISSUE DESCRIPTION	DRAWN	CHECKED	APPROVED
A	14/11/23	PRELIMINARY ISSUE	MH	JT	JT
B	15/11/23	PRELIMINARY ISSUE	MH	JT	JT
C	13/12/23	PRELIMINARY ISSUE	MH	JT	JT

CLIENT
DEVELOPMENT VICTORIA
LEVEL 9/8 EXHIBITION ST, MELBOURNE VIC 3000

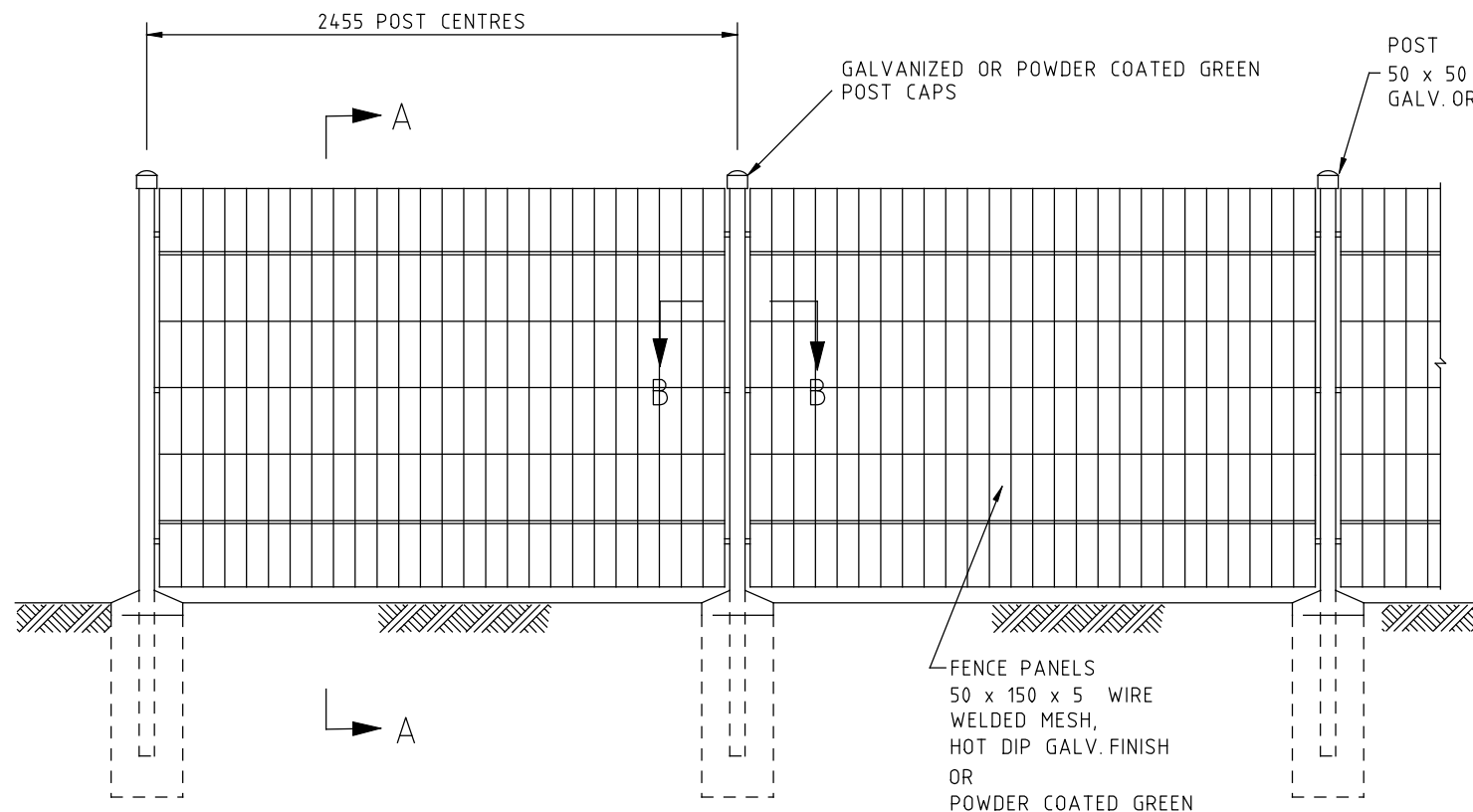


PROJECT
FITZROY SPORTS CENTRE
ALEXANDRA PARADE CARPARK
160 ALEXANDRA PARADE, FITZROY VIC 3065

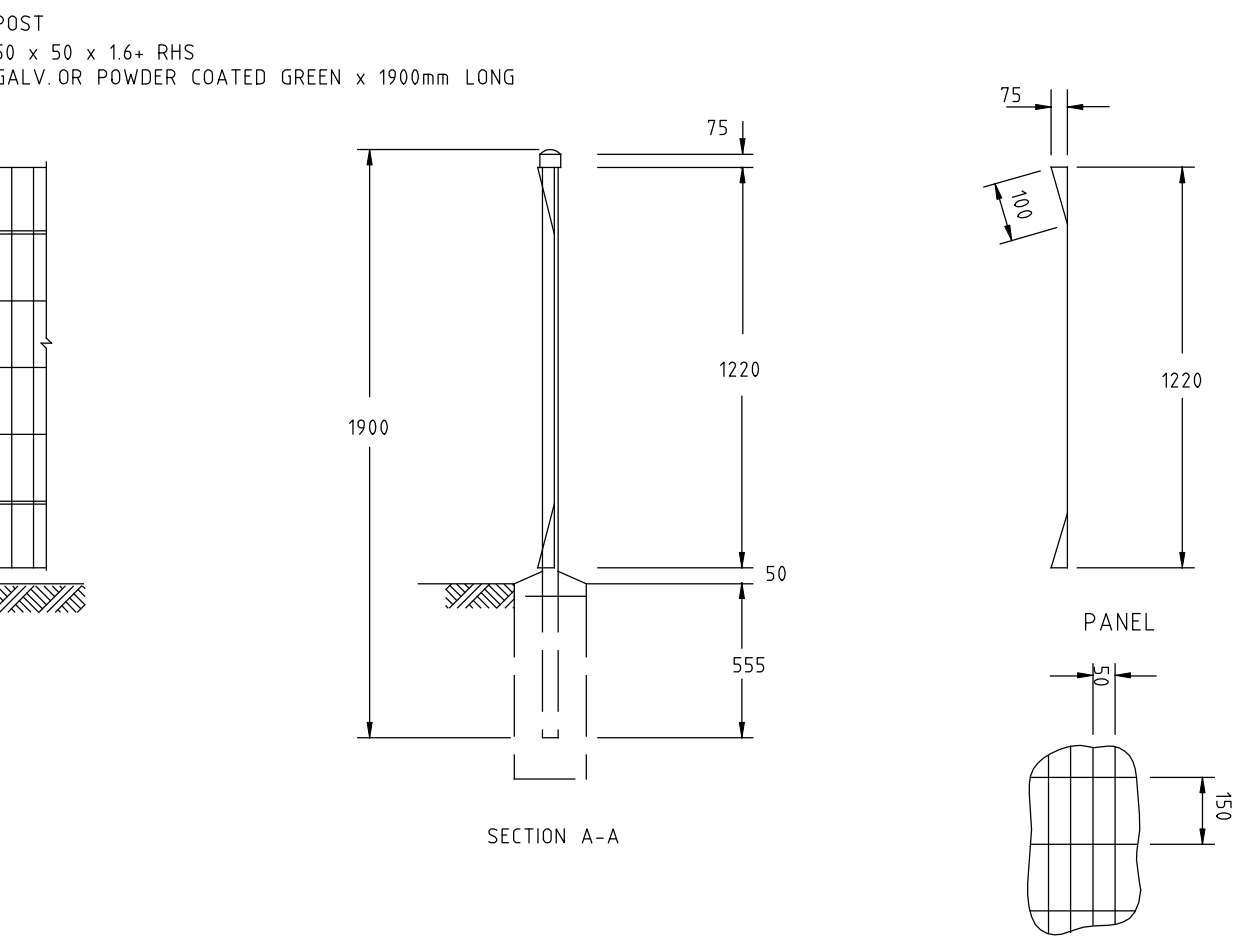
DRAWING TITLE
PROPOSED CIVIL FUNCTIONAL LAYOUT PLAN

STATUS
PRELIMINARY
NOT FOR CONSTRUCTION

SCALE AT A0	DRAWN	DESIGNED
NA	M HALL	J TABBAN
PROJECT ENGINEER	PROJECT MANAGER	DATE FIRST ISSUE
J TABBAN	J TABBAN	14/11/2023
DRAWING NO.	REVISION	
CRE-CV-DR-0120	C	

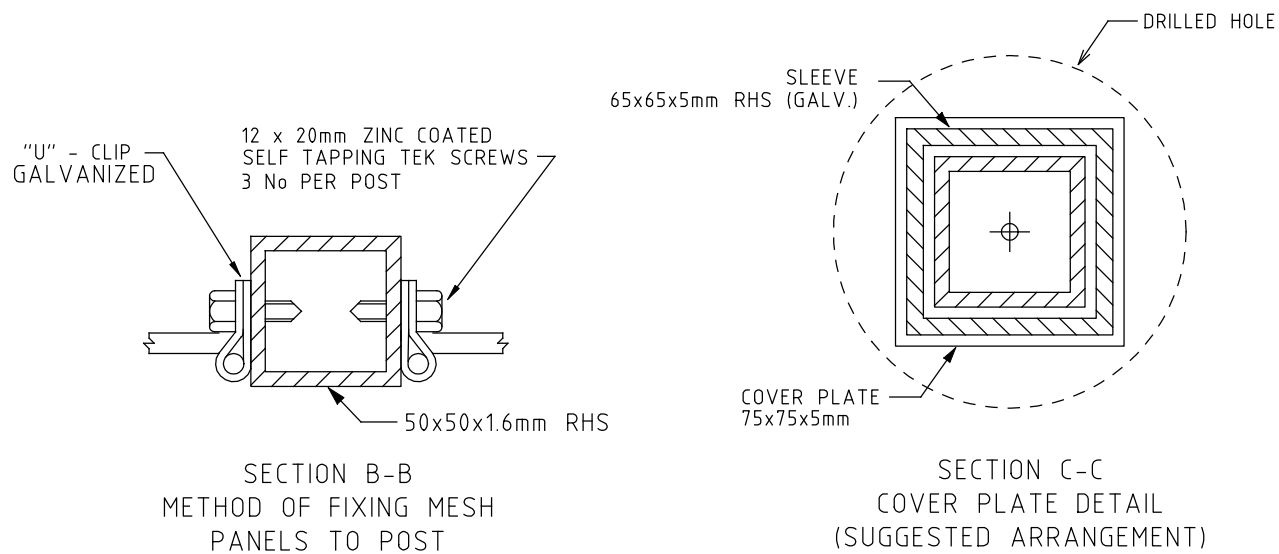


GENERAL ARRANGEMENT



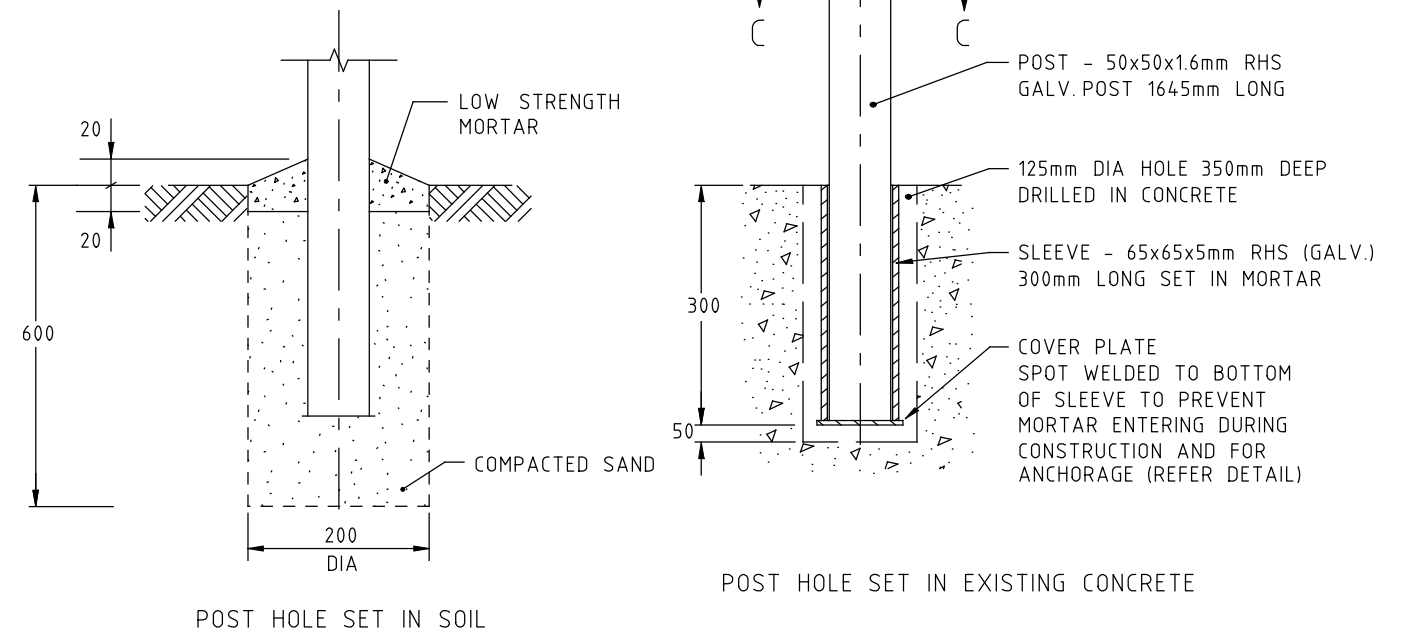
SECTION A-A

MESH



SECTION B-B
METHOD OF FIXING MESH
PANELS TO POST

SECTION C-C
COVER PLATE DETAIL
(SUGGESTED ARRANGEMENT)



POST HOLE SET IN SOIL

POST HOLE SET IN EXISTING CONCRETE

E			
D			
C			
B			
A	JK	1/7/05	FENCE PANEL SIZE AMENDED
ISSUE	APP'D	DATE	AMENDMENT

GENERAL NOTES
 1. THE FENCE UTILIZES "A.R.C." 1220 x 2400 JACARANDA PANELS.
 2. ELECTRICAL INSULATION DETAILS FOR FENCES IN THE VICINITY OF TRANSMISSION LINES AND TOWERS REFER SD 3171.
 3. ALL DIMENSIONS ARE IN MILLIMETRES.

DESIGNED
 PRED
 APPROVED 30-9-99
J Cunningham
 CATALOG: PRED
 PROJECT: sddgnnew



COMPUTER FILE sd-3143a.dgn
 SCALE OF METRES HOR NTS
 VER

STANDARD DRAWING
 FENCE
 WELDED MESH

FILE NO. CONTRACT NO. SHEET NO. DRAWING NO. SD 3143 ISSUE A