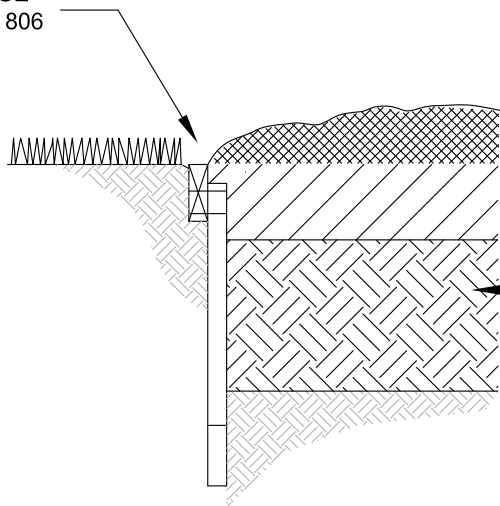


WOODEN EDGE -
SEE DETAIL YSD 806



75mm DEPTH MULCH, 'MULTI BARK' FROM BARK KING, OR APPROVED EQUIVALENT. (400mm TAPER TO MULCH)

100mm APPROVED SANDY LOAM TOPSOIL

CULTIVATED SUBGRADE TO 200mm DEPTH - INCLUDE GYPSUM IF NEEDED

NOTES:

EXCAVATE AND REMOVE ANY HARD SURFACE MATERIAL (MIN 100mm).

CULTIVATE EXISTING SOIL TO A MINIMUM DEPTH OF 200mm.

FOR CLAY SOILS INCLUDE 0.25 KG OF GYPSUM PER 1 m2.

SPREAD 100mm OF TOPSOIL (APPROVED BY SUPERINTENDENT PRIOR TO PLACEMENT) OVER ENTIRE AREA AND CULTIVATE INTO THE TOP 200mm OF THE EXISTING SOIL.

SPREAD 75mm OF ORGANIC MULCH (TO BE APPROVED BY SUPERINTENDENT PRIOR TO PLACEMENT).

Drawing Title:
Garden Bed Preparation

Scale at A4 1: 10
Yarra Standard: YSD802

REV	DATE	DRAWN BY
A	06/09/02	
B	11/02/15	KA

