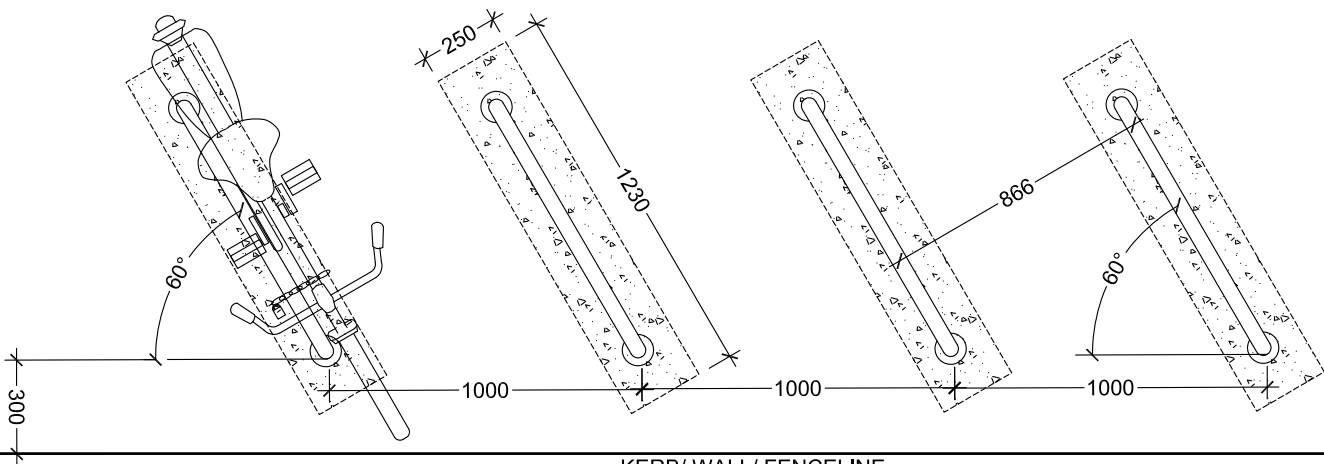


200mm DEEP BY 250mm WIDE BY 1200mm LONG, CHARCOAL COLOURED 4.15% ABILOX 'BLACK CAFF-X2' (or similar), 25 MPA CONCRETE FOOTING

DETAILS



KERB/ WALL/ FENCELINE

LAYOUT

Drawing Title:

Bike Hoop - bolt down

Scale at A4 N.T.S
Yarra Standard: YSD 1050b

REV	DATE	DRAWN BY
A	01/10/06	
B	25/10/18	KA



NOTE: PLEASE REFER TECHNICAL NOTES FROM THE CITY OF YARRA PUBLIC DOMAIN MANUAL ALONG WITH THIS DRAWING.